



Replacement Sheet

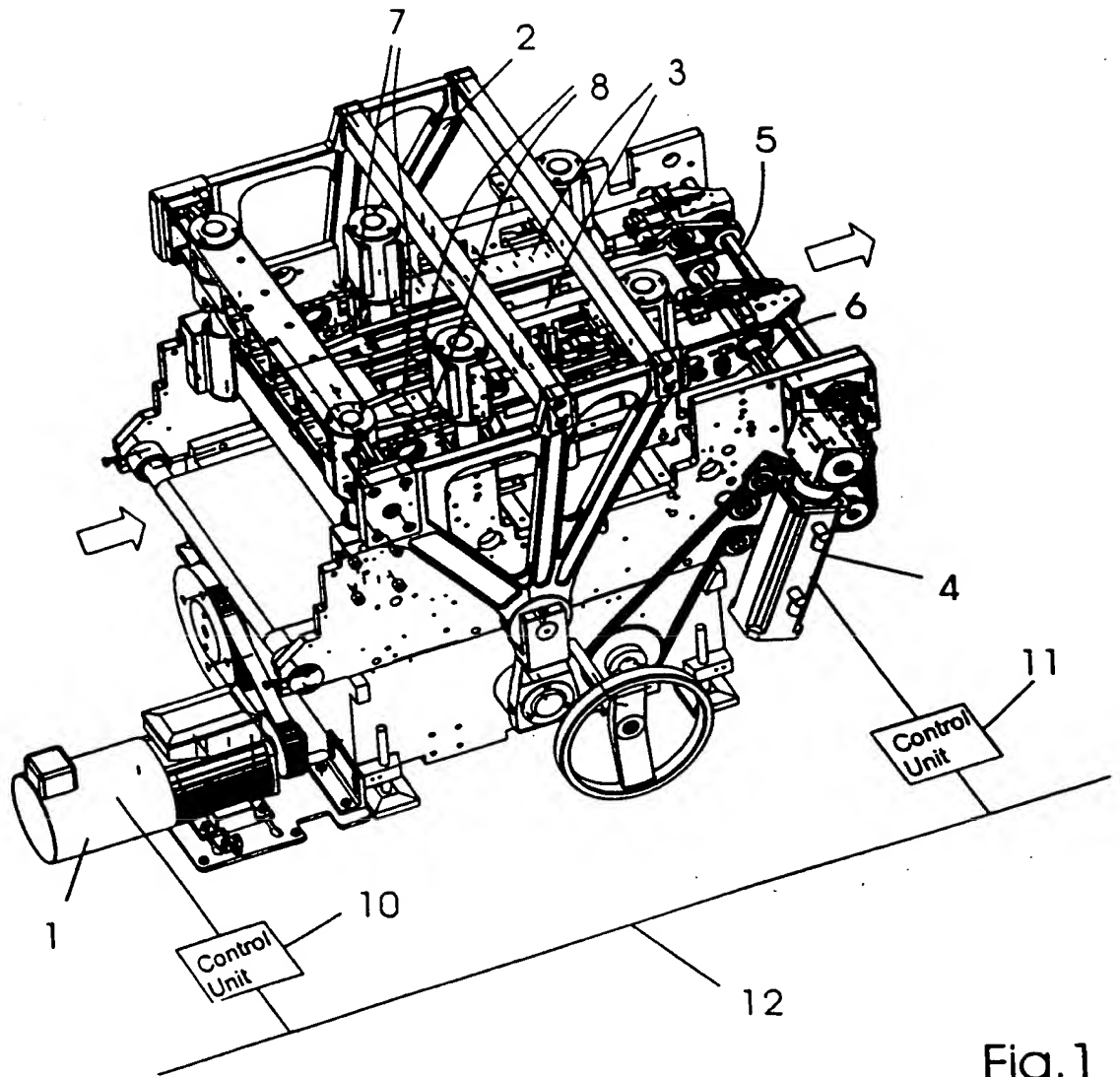


Fig.1



Replacement Sheet

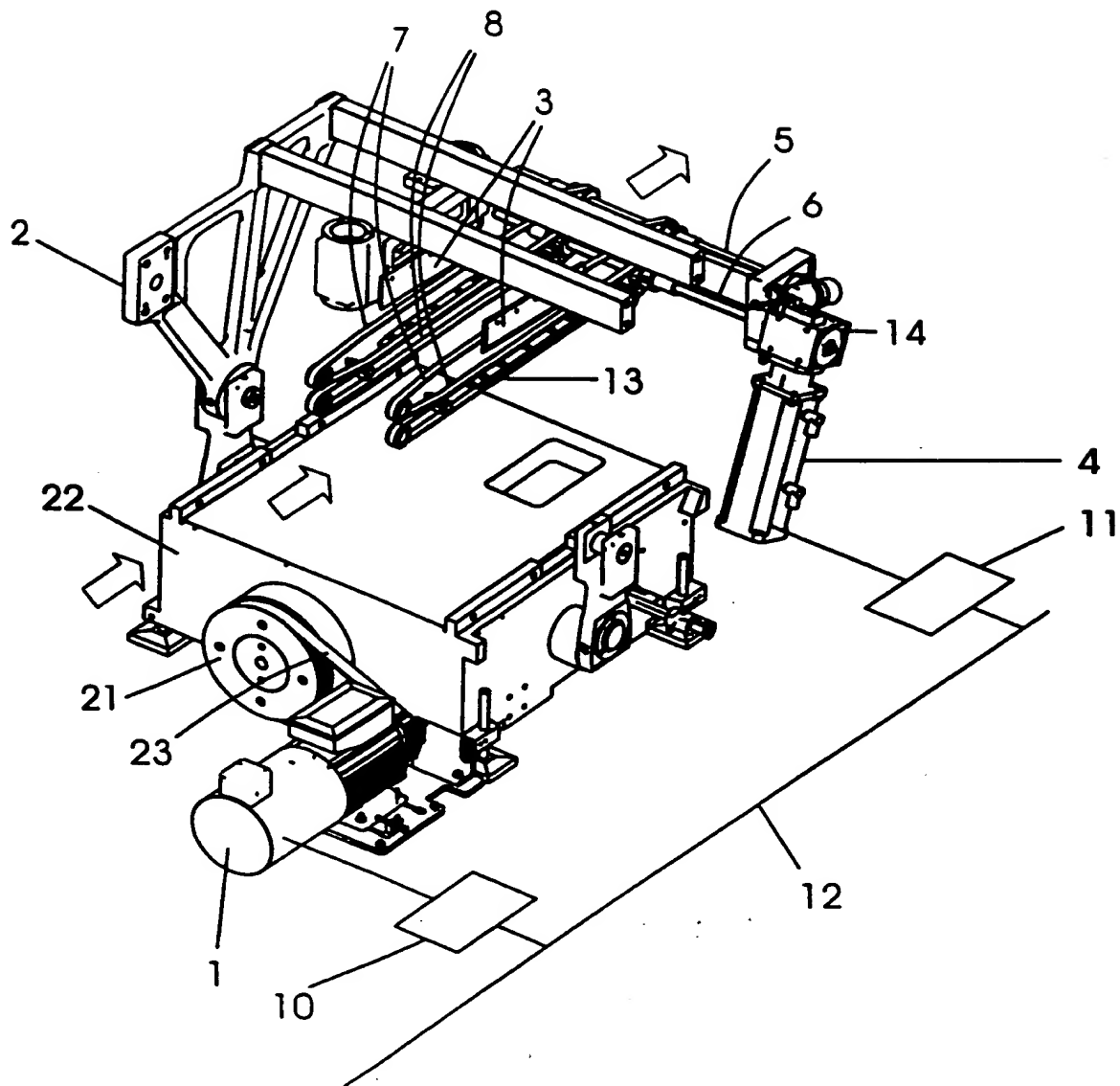


Fig.2